

LIFTMOORE 206EL CRANE

6,500 FT.-LB. MOMENT RATING
2,000 LB. MAXIMUM CAPACITY

The 206EL crane incorporates power boom elevation into its compact design allowing for changing of the boom angle while under load. This feature allows picking up an object at a greater distance and being able to change the load radius and spot the load where it is needed. With its 2000 lbs. maximum capacity lift @ 3 ft. this crane is the choice of many.

- Standard boom length is 5.5 Ft. with a manual pull out to 9 Ft. with one intermediate position.
- Hydraulic boom elevation from 0 degrees to +75 degrees is standard on this model.



Model 206EL

LOAD CAPACITY - LBS. 6,500 FT-LBS

BOOM LENGTH - FT.	LOAD CAPACITY - LBS.					
	0°	15°	30°	45°	60°	75°
5'6"	1182	1224	1365	1671	2000	2000
7'3"	897	928	1035	1268	1793	2000
9'0"	722	748	834	1021	1444	2000



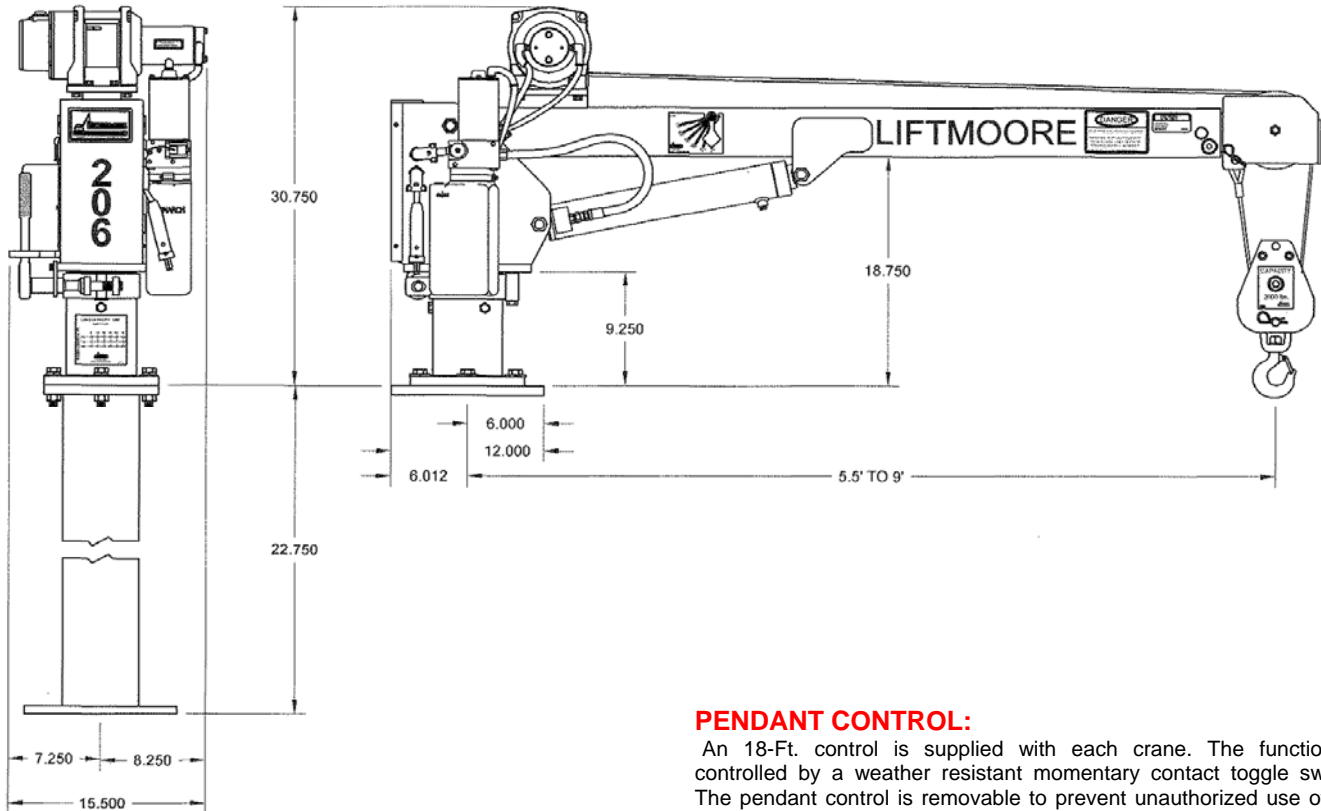
713-688-5533
WWW.LIFTMOORE.COM

22373



HOUSTON, TEXAS
FAX: (800) 824-5559 (USA & Canada)
FAX: (713) 688-6324
PHONE: (713) 688-5533
www.liftmoore.com

206EL SPECIFICATIONS



HOIST WINCH:

The Hoist winch uses a planetary gear drive for most efficient operation. The winch is powered by a permanent magnet electric motor. The single line capacity of the winch is 1200 lbs. An integral mechanical brake is included with the winch.

Winch performance is as follows.

Load (lbs)	Hook speed (Ft. Min.)	Amp Draw
0	25	22
600	21	63
900	19	84

* Use traveling block double line, for loads above 1000 lbs.

WIRE ROPE and SHEAVES:

The crane is supplied with 35 Ft. of 3/16 in. galvanized aircraft cable with a 4200 Lb. breaking strength. All sheaves meet ANSI requirements.

ROTATION: The crane is standard with 360 degrees of continuous and unlimited manual rotation. The crane rotates on tapered roller bearings. A manual band brake is included to help control rotation and swing. The band brake is applied using a reversible hand ratchet.

BOOM: The standard boom length in the horizontal position is 5.5 Ft with a manually telescoping section to 9.0 Ft. An Intermediate boom position is included.

A single acting hydraulic cylinder elevates the boom. An electric-hydraulic pump powers the cylinder from 0 degrees to +75 degrees. A load-limiting sensor is standard on the model 206EL.

PENDANT CONTROL:

An 18-Ft. control is supplied with each crane. The function is controlled by a weather resistant momentary contact toggle switch. The pendant control is removable to prevent unauthorized use of the crane.

ELECTRICAL:

The vehicle 12-volt DC system powers the crane. A second battery near the crane is advised. This will maintain the voltage at the highest possible level and extend the life of the cranes motors and solenoids.

A double pole electric contactor reverses the winch motor. 25 Ft. of battery cable with quick disconnects: a 3-Ft. ground wire and a 150 Amp. Circuit breaker is supplied with each crane.

PEDESTAL:

A standard pedestal height of 32 In. from base of mounting plate to point of rotation is standard. This can be shortened to 9.25 in. to accommodate mounting on service body compartment top. (Special heights can be produced upon request)

MOUNTING: A minimum 8,600 Lb. GVWR recommended.

Four ½ in. X 2-3/4 In. long grade 8 bolts are supplied. The base plate is a 12-in. square with a 9.5-in square bolt pattern.

BOOM REST:

A boom rest is required to support the boom whenever the vehicle is in motion. Liftmoore can supply your boom rest, its just one of the many options available.

ACCESSORIES:

A jackstand or outrigger is necessary on most installations to keep the truck as level as possible and reduce the load on the rotation bearings as well as the trucks springs, axels, wheels and tires.



HOUSTON, TEXAS
 FAX: (800) 824-5559 (USA & Canada)
 FAX: (713) 688-6324
 PHONE: (713) 688-5533
 www.liftmoore.com